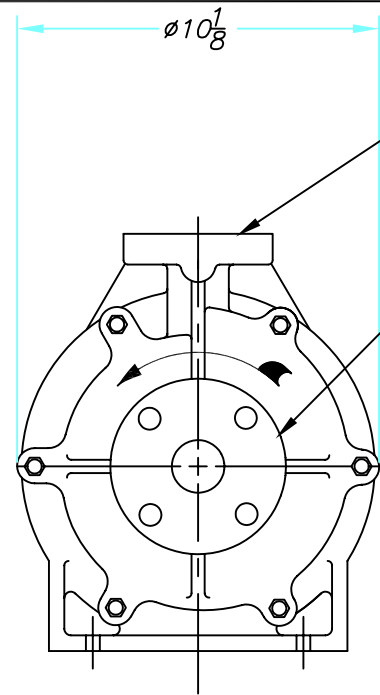
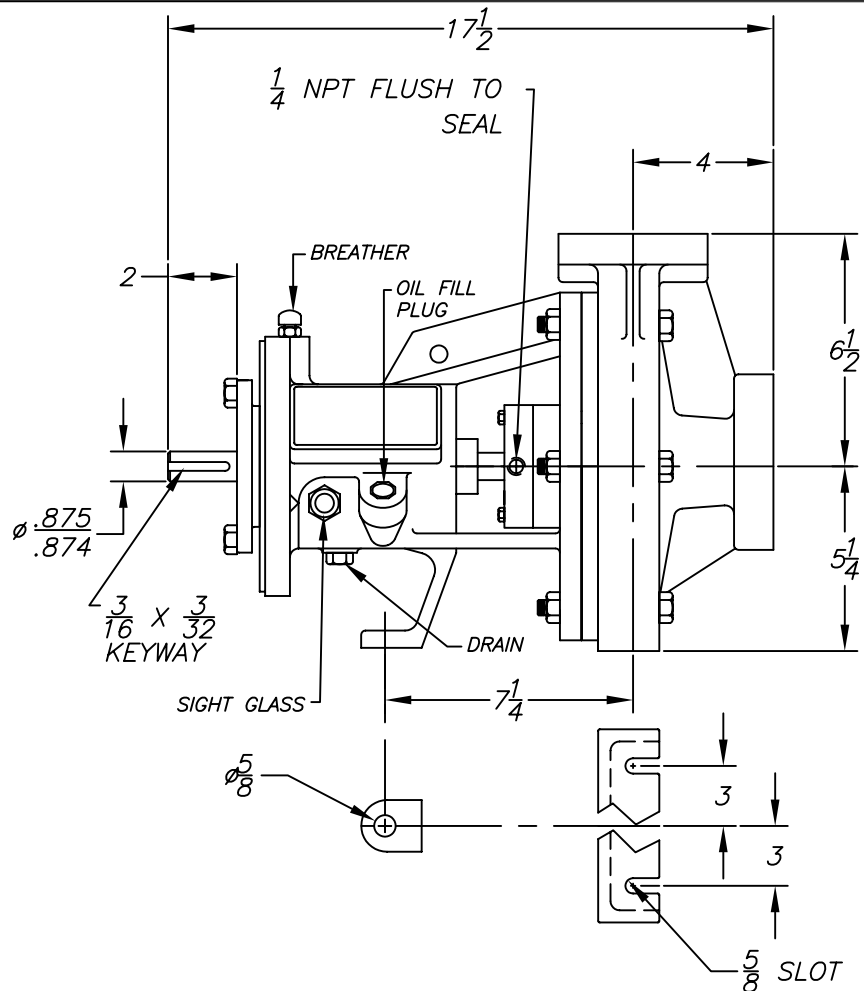


DATE	SYM.	REVISION RECORD	AUTH.	D.R.	C.K.



DISCHARGE FLANGE

SUCTION FLANGE

NOTE:
 (1) ROTATION IS COUNTERCLOCKWISE FACING SUCTION FLANGE
WARNING: DO NOT OPERATE WITHOUT LIQUID IN PUMP. DO NOT OPERATE IN REVERSE ROTATION.
 (2) ALL DIM. IN INCHES
 (3) FLANGES ARE ASME/ANSI B16.5 CLASS 150lb. FLAT FACE.

CUSTOMER
CUST. P.O.#
TAG:
FYBROC S/N

Fybroc Division TELFORD, PA 18969

1500 GROUP 1	SCALE	DRAWN BY
	~	ELJ
APPROVED BY		
TITLE		
OUTLINE DRAWING PUMP ONLY		
DATE	DRAWING NUMBER	REV.
5/31/94	B40094	

PUMP SIZE	ANSI DESIG.	SUCT.	DISCH.
1X1-1/2X6	AA	1-1/2	1
1-1/2X3X6	AB	3	1-1/2
2X3X6	-	3	2
1X1-1/2X8	AA	1-1/2	1

FLANGE	O.D.	THICK.	B.C.	# OF HOLES	SZ. OF HOLES
1	4-1/4	7/8	3-1/8	4	5/8
1-1/2	5	1-1/8	3-7/8	4	5/8
2	6	1-1/8	4-3/4	4	3/4
3	7-1/2	1-1/8	6	4	3/4