

DATE	SYM.	REVISION RECORD	AUTH.	D.R.	CK.
10/17/02	A	REVISED & REDRAWN			829

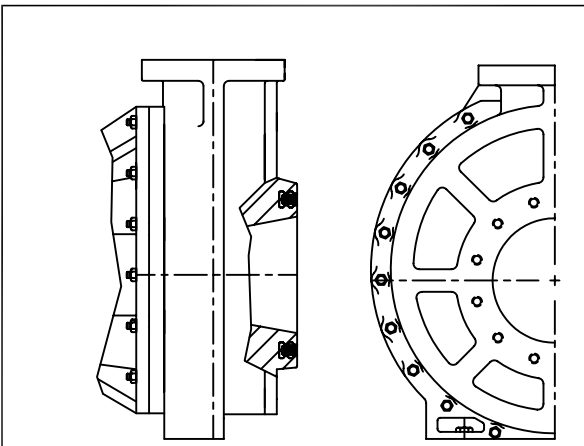
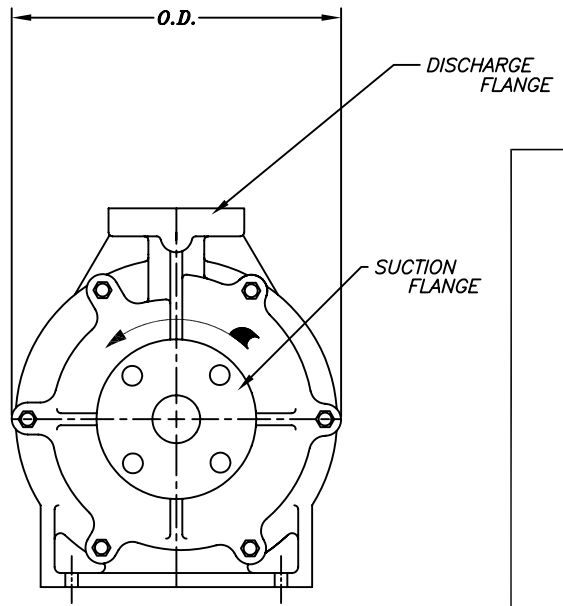
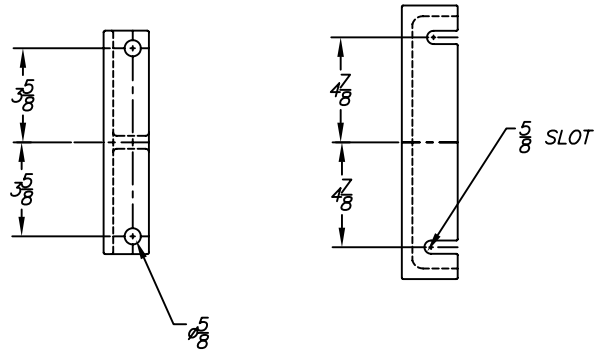
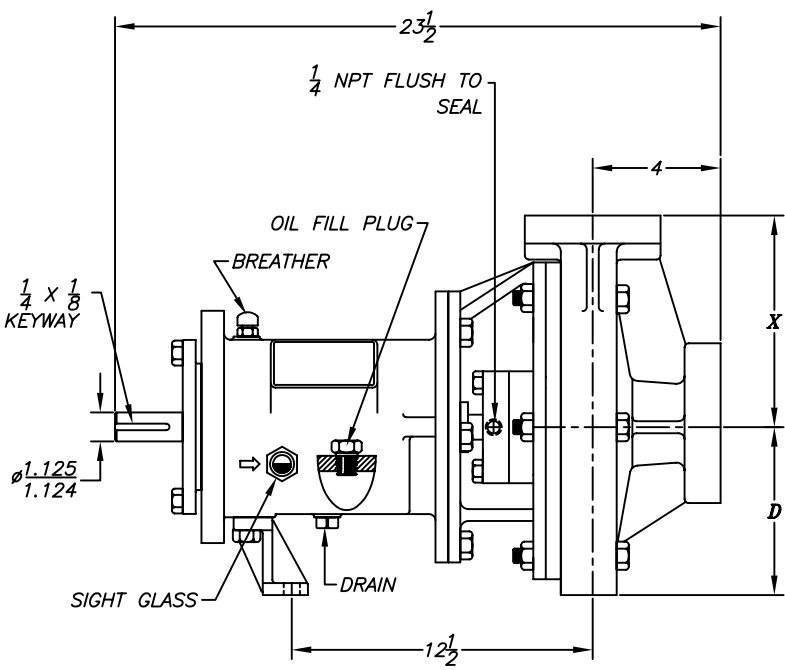


FIGURE 1
 FLAT FACE THREADED
 SUCTION CONNECTION
 USED ON SIZES 4X4X10,
 4X6X10, 4X6X13 ONLY

ANSI DESIG.	PUMP SIZE	SUCT.	DISCH.	D	X	O.D.
A50	1 1/2X3X8	3	1 1/2	8 1/4	8 1/2	14 1/4
A60	2X3X8	3	2	8 1/4	9 1/2	14 1/4
A70	3X4X8	4	3	8 1/4	11	14 1/4
A05	1X2X10	2	1	8 1/4	8 1/2	14 1/4
A50	1 1/2X3X10	3	1 1/2	8 1/4	8 1/2	14 1/4
A60	2X3X10	3	2	8 1/4	9 1/2	17 1/4
A70	3X4X10	4	3	8 1/4	11	17 1/4
-	4X4X10	4(1)	4	8 1/4	12 1/2	17 1/4
A80	4X6X10	6(1)	4	10	13 1/2	22 1/4
A30	2X3X13	3	2	10	11 1/2	20 1/2
A40	3X4X13	4	3	10	12 1/2	20 1/2
A80	4X6X13	6(1)	4	10	13 1/2	22 1/4

FLANGE	O.D.	THICK.	B.C.	# OF HOLES	SZ. OF HOLES
1	4-1/4	1	3-1/8	4	5/8
1-1/2	5	1-1/8	3-7/8	4	5/8
2	6	1-1/8	4-3/4	4	3/4
3	7-1/2	1-1/8	6	4	3/4
4	9	1-1/4	7-1/2	8	3/4
4(1)	9	(1)	7-1/2	8	(2)
6(1)	11	(1)	9-1/2	8	(3)

NOTES:
 (1) THREADED SUCTION CONNECTION. SEE FIGURE 1.
 (2) 5/8-11 TAPPED HOLES 1" DEEP.
 (3) 3/4-10 TAPPED HOLES 1" DEEP.
 (4) ALL DIMENSIONS IN INCHES
 (5) FLANGES ARE ASME/ANSI B16.5 CLASS 150lb. FLAT FACE.
 (6) ROTATION IS COUNTERCLOCKWISE FACING SUCTION FLANGE
WARNING: DO NOT OPERATE WITHOUT LIQUID IN PUMP. DO NOT OPERATE IN REVERSE ROTATION.

CUSTOMER _____
 CUST. P.O.# _____
 TAG: _____
 Fybroc S/N _____

Fybroc Division TELFORD, PA 18969
1500 SERIES GROUP 2 SCALE ~ DRAWN BY **829**
 TITLE **OUTLINE DRAWING PUMP ONLY** APPROVED BY _____
 DATE **6/2/94** DRAWING NUMBER **C40105** REV. **A**