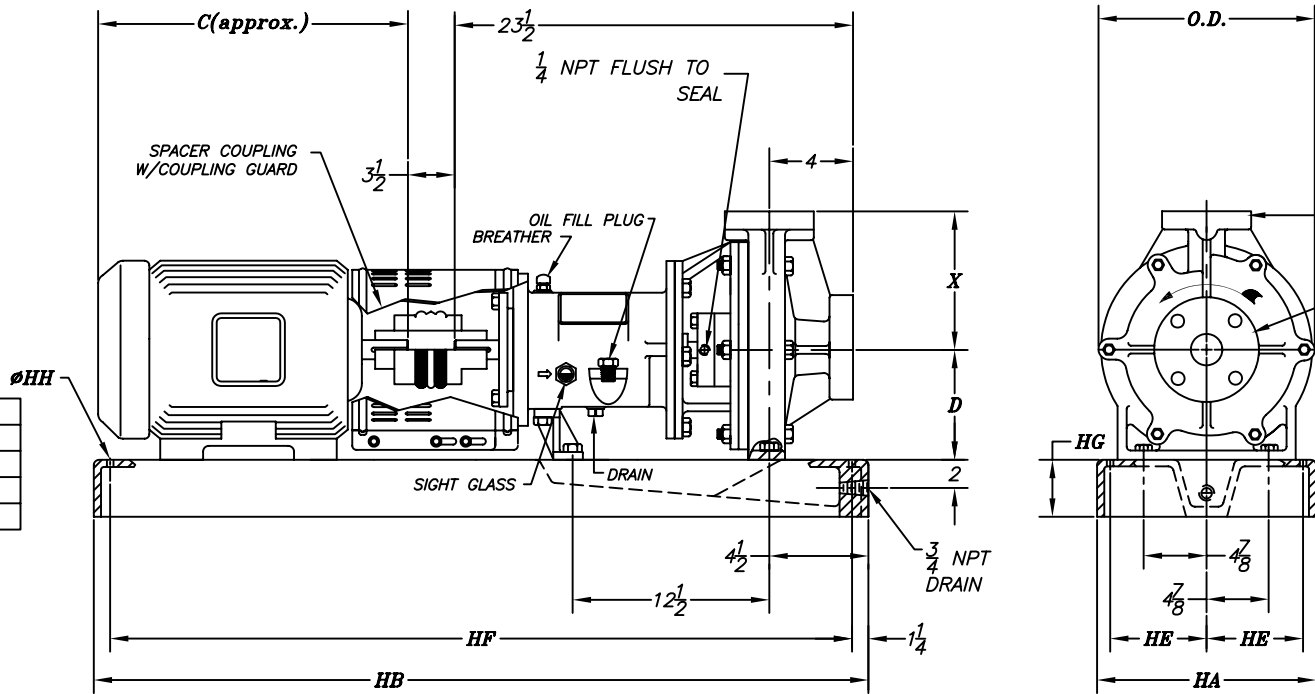


MOTOR FRAME	C
182T/184T	15 5/8
213T/215T	19 1/4
254T/256T	25 1/2
284T/286T	27 5/8
324T/326T	29 11/16
284TS/286TS	24 3/4
324TS/326TS	28 1/4



DATE	SYM.	REVISION RECORD	AUTH.	D.R.	C.K.
10/77	SP	A REVISED & REDRAWN			SP

MOTOR	
HP	RPM
PH	HZ VOLTS
ENCL.	
FRAME	

ANSI DESIG.	PUMP SIZE	SUCT.	DISCH.	D	X	O.D.	MOTOR FRAME	BASE PLATE
A50	1-1/2X3X8	3	1 1/2	8 1/4	8 1/2	14 1/4	182T-286T	2
							324T/326T	3
A60	2X3X8	3	2	8 1/4	9 1/2	14 1/4	182T-286T	2
							324T/326T	3
A70	3X4X8	4	3	8 1/4	11	14 1/4	182T-286T	2
							324T/326T	3
A05	1X2X10	2	1	8 1/4	8 1/2	14 1/4	182T-286T	2
							324T/326T	3
A50	1-1/2X3X10	3	1 1/2	8 1/4	8 1/2	14 1/4	182T-286T	2
							324T/326T	3
A60	2X3X10	3	2	8 1/4	9 1/2	17 1/4	182T-286T	2
							324T/326T	3
A70	3X4X10	4	3	8 1/4	11	17 1/4	182T-286T	2
							324T/326T	3
-	4X4X10	4(1)	4	8 1/4	12 1/2	17 1/4	182T-286T	2
							324T/326T	3
A80	4X6X10	6(1)	4	10	13 1/2	22 1/4	182T-286T	2
							324T/326T	3
A30	2X3X13	3	2	10	11 1/2	20 1/2	182T-286T	2
							324T/326T	3
A40	3X4X13	4	3	10	12 1/2	20 1/2	182T-286T	2
							324T/326T	3
A80	4X6X13	6(1)	4	10	13 1/2	22 1/4	182T-286T	2
							324T/326T	3

BASE PLATE	HA	HB	HE	HF	HG	HH
2	15	52	6	49 1/2	3 3/4	3/4
3	18	58	7 1/2	55 1/2	4	1

FLANGE	O.D.	THICK.	B.C.	NO. OF HOLES	SZ. OF HOLES
1	4 1/4	1	3 1/8	4	5/8
1 1/2	5	1 1/8	3 7/8	4	5/8
2	6	1 1/8	4 3/4	4	3/4
3	7 1/2	1 3/16	6	4	3/4
4	9	1 1/4	7 1/2	8	3/4
4(1)	9	(1)	7 1/2	8	(2)
6(1)	11	(1)	9 1/2	8	(3)

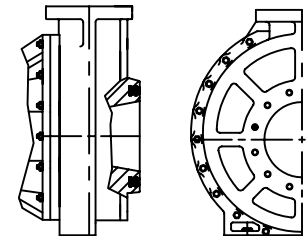


FIGURE 1
FLAT FACE THREADED SUCTION CONNECTION USED ON SIZES 4X4X10, 4X6X10, 4X6X13 ONLY.

- NOTES:
- (1) THREADED SUCTION CONNECTION. SEE FIG. 1.
 - (2) 5/8-11 TAPPED HOLES X 1" DEEP.
 - (3) 3/4-10 TAPPED HOLES X 1" DEEP.
 - (4) ALL DIMENSIONS IN INCHES.
 - (5) FLANGES ARE ASME/ANSI B16.5 CLASS 150lb. FLAT FACE.
 - (6) ROTATION IS COUNTERCLOCKWISE FACING SUCTION FLANGE.
- WARNING: DO NOT OPERATE WITHOUT LIQUID IN PUMP. DO NOT OPERATE IN REVERSE ROTATION.**

CUSTOMER:		
CUST. P.O.#		
TAG:		
FYBROC S/N		
Fybroc Division		TELFORD, PA 18969
1500 SERIES GROUP 2	SCALE ~	DRAWN BY <i>SP</i>
TITLE		APPROVED BY
OUTLINE DRAWING W/FRP BASE PLATE		
DATE 8/3/94	DRAWING NUMBER C40106	REV. A