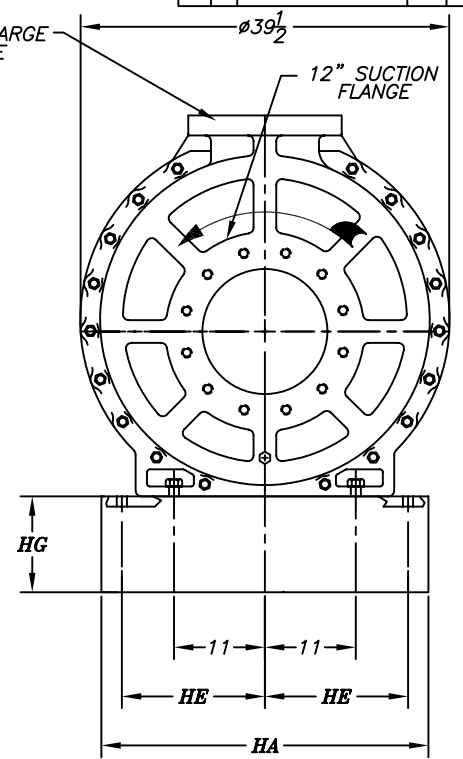
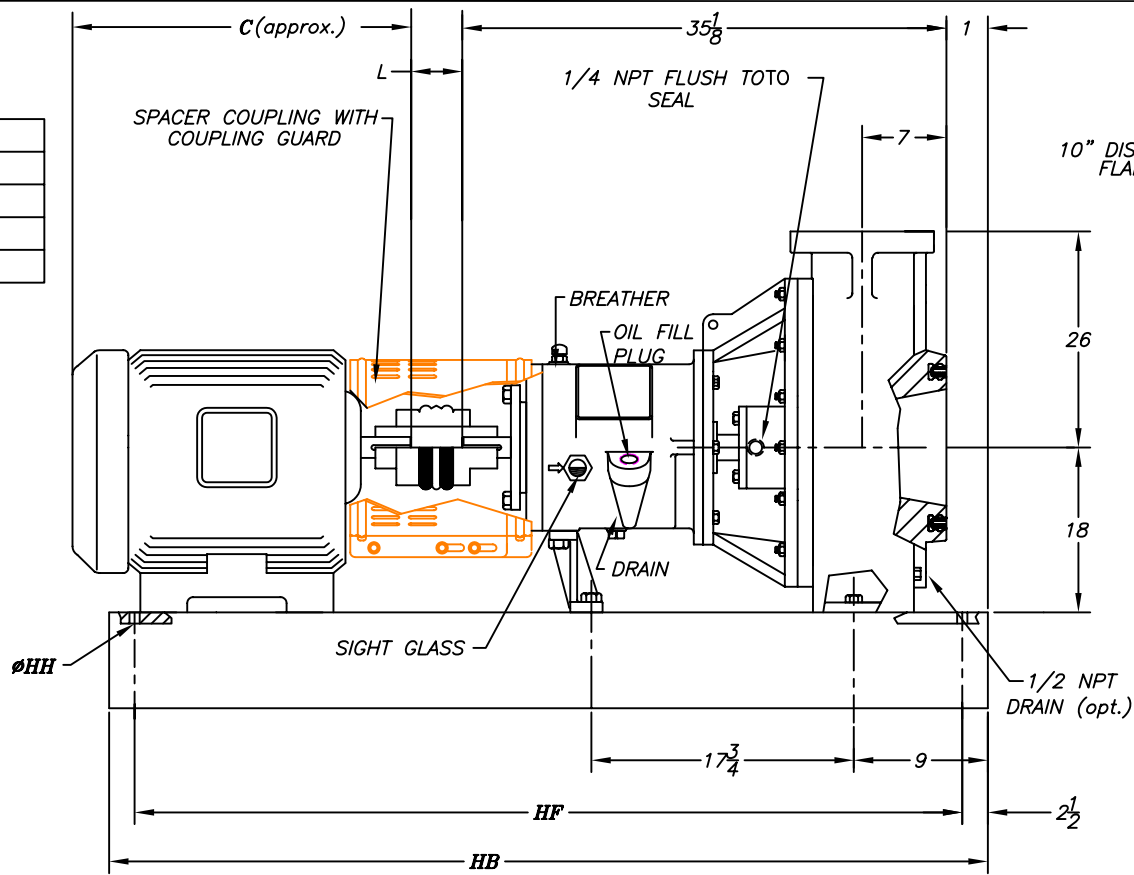


DATE	SYM.	REVISION	RECORD	AUTH.	DR.	C.K.

MOTOR	
HP	RPM
PH	HZ VOLTS
ENCL.	
FRAME	



MOTOR FRAME	C	L	HA	HB	HE	HF	HG	HH
284T-286T	27-5/8	7-3/4	30	75	12-1/2	70	4-1/2	1
324T-326T	29-11/16	7-3/4	30	78	12-1/2	73	4-1/2	1
364TS-365TS	31	7-3/4						
364T-365T	33-1/8	7-3/4	30	80	12-1/2	75	4-1/2	1
404TS-405TS	35	7-3/4						
404T-405T	38	7-3/4	30	84	12-1/2	79	4-1/2	1
444TS-445TS	42-1/8	7-3/4	30	87	12-1/2	82	4-1/2	1
444T-445T	46	7-3/4	30	90	12 1/2	85	4 1/2	1
447T	49	7-3/4	30	94	12 1/2	89	4 1/2	1

FLANGE	O.D.	THICK	BOLT CIRCLE	NO. OF HOLES	SIZE OF HOLES
10	16	2 1/4	14 1/4	12	1
12(1)	19	(1)	17	12	(2)

NOTES:
 (1) THREADED SUCTION CONNECTION.
 (2) 7/8-9 TAPPED HOLES X 1-1/4" DEEP
 (3) ALL DIMENSIONS IN INCHES.
 (4) FLANGES ARE ASME/ANSI B16.5 CLASS 150lb. FLAT FACE.
 (5) ROTATION IS COUNTERCLOCKWISE FACING SUCTION FLANGE
WARNING: DO NOT OPERATE WITHOUT LIQUID IN PUMP. DO NOT OPERATE IN REVERSE ROTATION.

CUSTOMER _____
 CUST. P.O.# _____
 TAG: _____
 Fybroc S/N _____

Fybroc Division TELFORD, PA 18969
 SCALE ~ DRAWN BY *SLJ*
 APPROVED BY _____
 TITLE 1500 10X12X16 OUTLINE DRAWING
 DATE 8/27/92 DRAWING NUMBER **C41960** REV. _____

SEE C41961 FOR PUMP ONLY