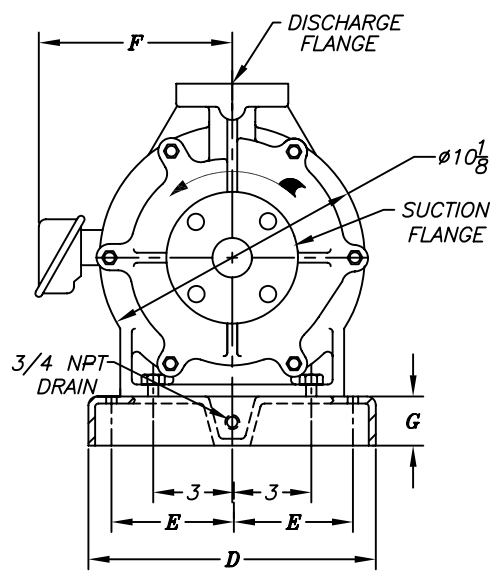
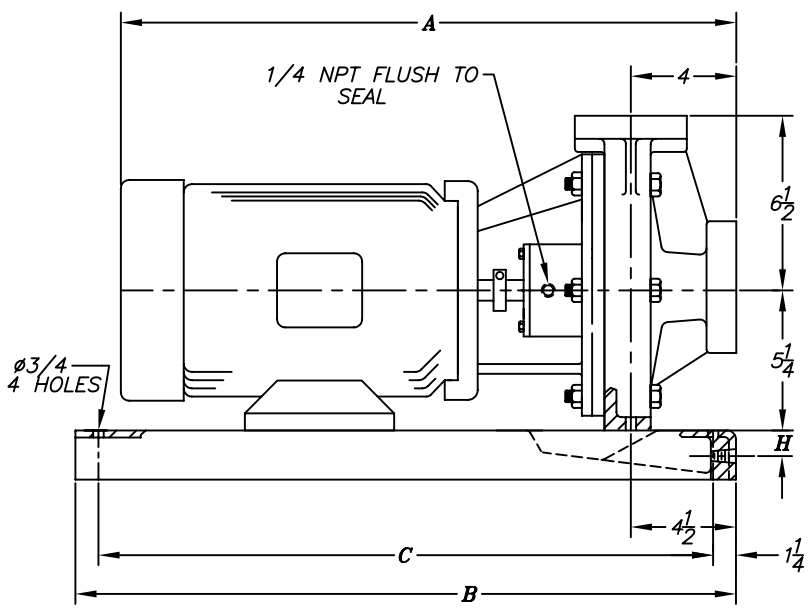


DATE	SYM.	REVISION	RECORD	AUTH.	DR.	CK.



NOTES:
 1) *-DIMENSIONS BASED ON GE TEFC MOTOR MAY VARY W/OTHER MANUFACTURERS.
 2) ROTATION IS COUNTERCLOCKWISE FACING SUCTION FLANGE
WARNING: DO NOT OPERATE WITHOUT LIQUID IN PUMP. DO NOT OPERATE IN REVERSE ROTATION
 3) FLANGES ARE ASME/ANSI B16.5 CLASS 150lb. FLAT FACE.

CUSTOMER
CUST. P.O.#
TAG:
FYBROC S/N

MOTOR	
HP	RPM
PH HZ	VOLT
ENCL.	
FRAME	

FLANGE	O.D.	THICK.	B.C.	NO. OF HOLES	SZ. OF HOLES
1	4 1/4	7/8	3 1/8	4	5/8
1 1/2	5	1 1/8	3 7/8	4	5/8
2	6	1 1/8	4 3/4	4	3/4
3	7 1/2	1 1/8	6	4	3/4

PUMP SIZE	SUCT.	DISCH.
1X1 1/2X6	1 1/2	1
1 1/2X3X6	3	1 1/2
2X3X6	3	2
1X1 1/2X8	1 1/2	1

MOTOR FRAME	A*	B	C	D	E	F*	G	H
145JM	21 1/4	22	19 1/2	10	4	6	2 5/8	1 11/16
184JM	23 5/8	24	21 1/2	10	4	7 1/16	2 5/8	1 11/16
213JM	25 5/8	30	27 1/2	12	4 1/2	8 13/16	2 7/8	1 15/16
215JM	26 13/16	30	27 1/2	12	4 1/2	8 13/16	2 7/8	1 15/16



Fybroc Division

TELFORD, PA 18969

1530 SERIES GROUP 1

SCALE
~

DRAWN BY *ELJ*
APPROVED BY

TITLE **OUTLINE DRAWING W/BASEPLATE**

DATE
6/22/94

DRAWING NUMBER
B41952

REV.