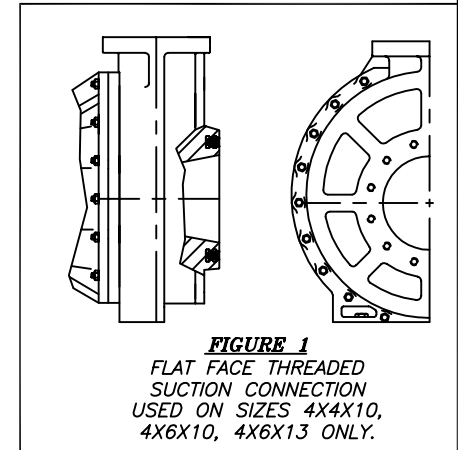
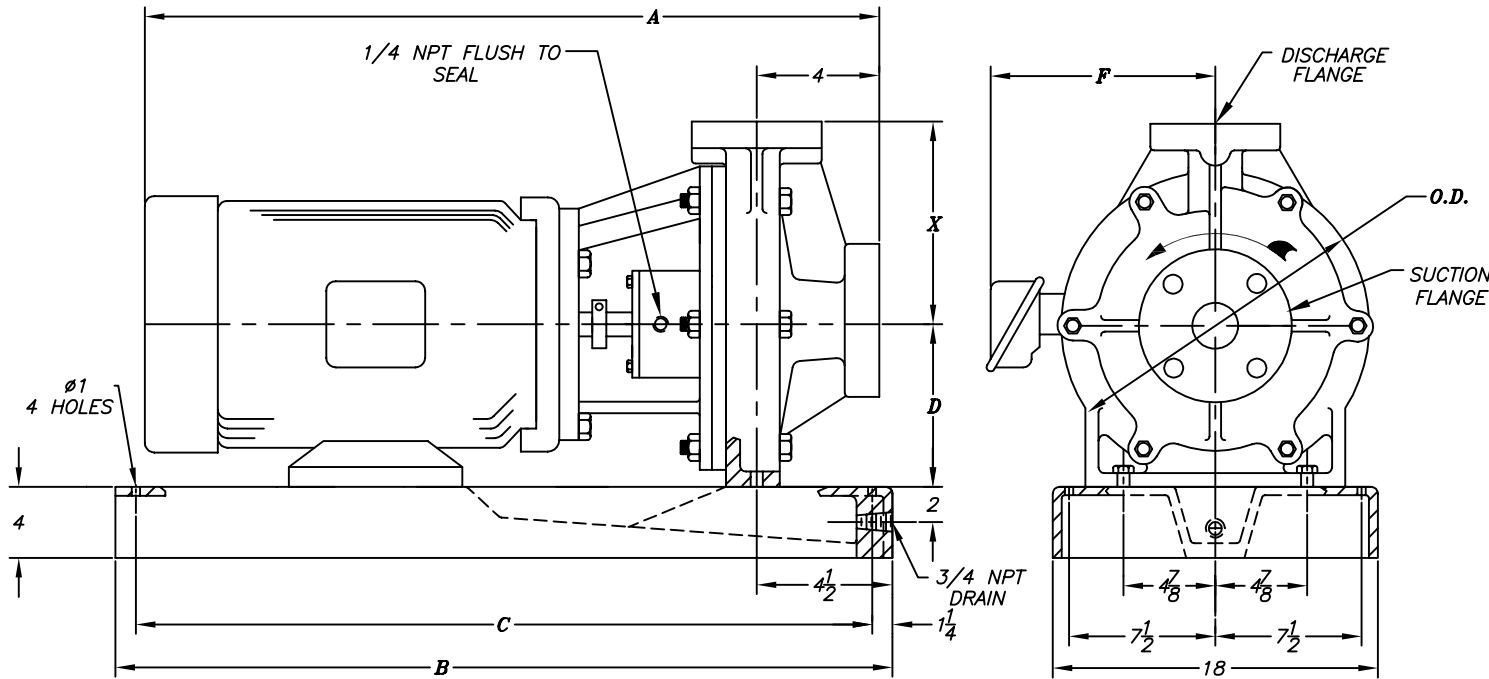


DATE	SYM.	REVISION RECORD	AUTH.	D.R.	C.K.



MOTOR
HP RPM
PH HZ VOLT
ENCL.
FRAME

FLANGE	O.D.	THICK.	B.C.	NO. OF HOLES	SIZE OF HOLES
1 1/2	5	1 1/8	3 7/8	4	5/8
2	6	1 1/8	4 3/4	4	3/4
3	7 1/2	1 3/16	6	4	3/4
4	9	1 1/4	7 1/2	8	3/4
4(1)	9	(1)	7 1/2	8	(2)
6(1)	11	(1)	9 1/2	8	(3)

NOTES:

1. RAISED SUCTION CONNECTION.
 2. 5/8-11 TAPPED HOLES 1" DEEP.
 3. 3/4-10 TAPPED HOLES 1" DEEP.
 4. ALL DIMENSIONS IN INCHES.
 5. FLANGES ARE ASME/ANSI B16.5 CLASS 150lb. FLAT FACE.
 6. DIMENSIONS BASED ON GENERAL ELECTRIC TEFC MOTOR—MAY VARY WITH OTHER MFR.
 7. ROTATION IS COUNTERCLOCKWISE FACING SUCTION FLANGE.
- WARNING: DO NOT OPERATE WITHOUT LIQUID IN PUMP. DO NOT OPERATE IN REVERSE ROTATION.**

MOTOR FRAME	A(5)	B	C	F(5)
143JM	21 3/4	21	18 1/2	6
145JM	22 3/4			
182JM	24 1/8	22	19 1/2	7
184JM	25 1/8			
213JM	26 13/16	27	24 1/2	8 13/16
215JM	28 5/16			
254JM	29 7/8	29	26 1/2	10 7/16
256JM	31 5/8			
284JM	31 1/2	32	29 1/2	11 3/8
286JM	33			
324JM	33 1/2	34	31 1/2	13 5/16
326JM	35			

DIM. DESIG.	PUMP SIZE	SUCT.	DISCH.	D	X	O.D.
A50	1 1/2X3X8	3	1 1/2	8 1/4	8 1/2	14 1/4
A60	2X3X8	3	2	8 1/4	9 1/2	14 1/4
A70	3X4X8	4	3	8 1/4	11	14 1/4
A05	1X2X10	2	1	8 1/4	8 1/2	14 1/4
A50	1 1/2X3X10	3	1 1/2	8 1/4	8 1/2	14 1/4
A60	2X3X10	3	2	8 1/4	9 1/2	17 1/4
A70	3X4X10	4	3	8 1/4	11	17 1/4
-	4X4X10	4(1)	4	8 1/4	12 1/2	17 1/4
A80	4X6X10	6(1)	4	10	13 1/2	22 1/4
A30	2X3X13	3	2	10	11 1/2	20 1/2
A40	3X4X13	4	3	10	12 1/2	20 1/2
A80	4X6X13	6(1)	4	10	13 1/2	22 1/4

CUSTOMER
CUSTOMER P.O.#
TAG:
FYBROC S/N

Fybroc Division		TELFDORD, PA 18969	
1530 SERIES GROUP 2	SCALE ~	DRAWN BY 829	APPROVED BY
TITLE OUTLINE DRAWING W/BASEPLATE			
DATE 6/14/94	DRAWING NUMBER C 41950	REV.	