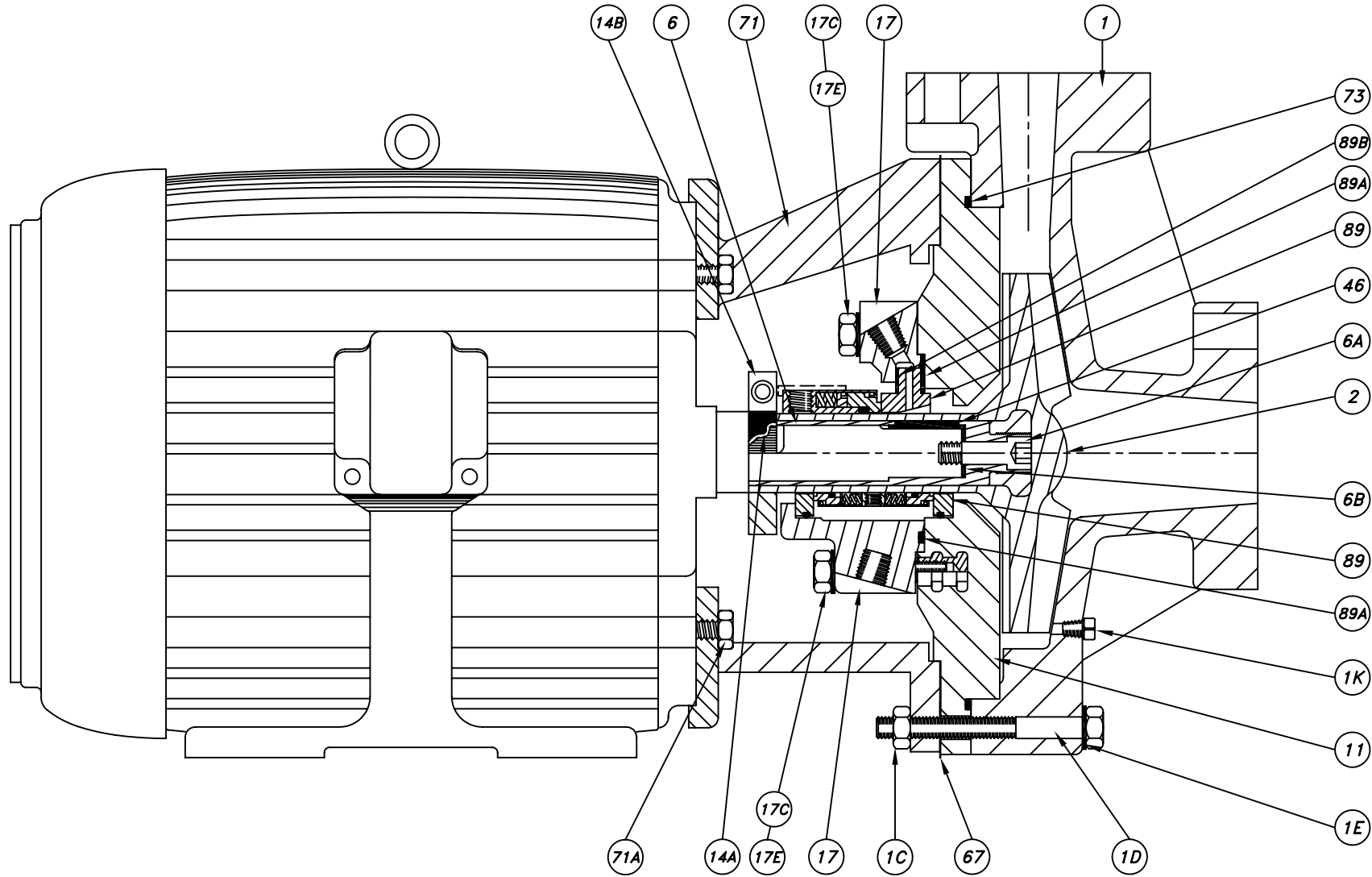



DATE	SYM.	REVISION RECORD	AUTH.	DR.	CHK.



PART #	DESCRIPTION	MATERIAL	QTY.
1	CASING	VINYL ESTER	1
1C	CASING NUT	303 S.S.	6
1D	CASING BOLT	303 S.S.	6
1E	CASING WASHER	303 S.S.	6
1K	DRAIN PLUG (opt.)	TEFLON	1
2	IMPELLER	VINYL ESTER	1
6	SHAFT	303 S.S.	1
6A	SHAFT SCREW	303 S.S.	1
6B	SHAFT WASHER	STEEL	0-2
11	COVER	VINYL ESTER	1
14A	SEGMENT KEY	VINYL ESTER	1
14B	LOCKING RING	303 S.S.	1

PART #	DESCRIPTION	MATERIAL	QTY.
17	GLAND RING	VINYL ESTER	1
17C	GLAND BOLT	303 S.S.	4
17E	GLAND WASHER	303 S.S.	4
46	KEY	303 S.S.	1
67	SHIM (approx.)	ACRYLIC	12
71	PUMP ADAPTOR	CAST IRON	1
71A	ADAPTOR SCREW	303 S.S.	4
73	O-RING COVER	VITON	1
89	MECHANICAL SEAL	CARBON/CERAMIC	1
89A	GLAND SEAL COVER	VITON	1
89B	GLAND SEAL, REAR	VITON	1
-	MOTOR, JM FRAME	-	1

 Fybroc Division		TELFORD, PA 18969	
		1530 GRP.1	SCALE ~
TITLE			
SECTIONAL DRAWING			
DATE	DRAWING NUMBER	REV.	
3/24/95	C50076-M		