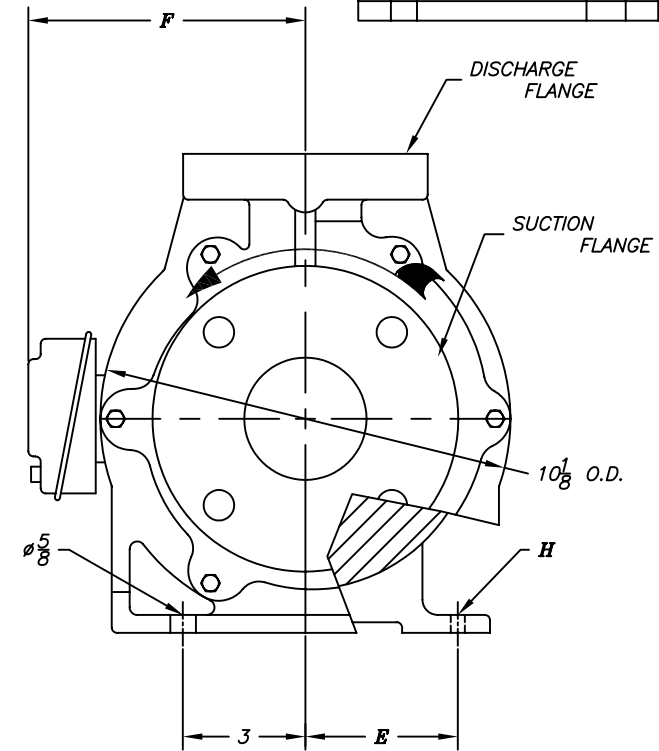
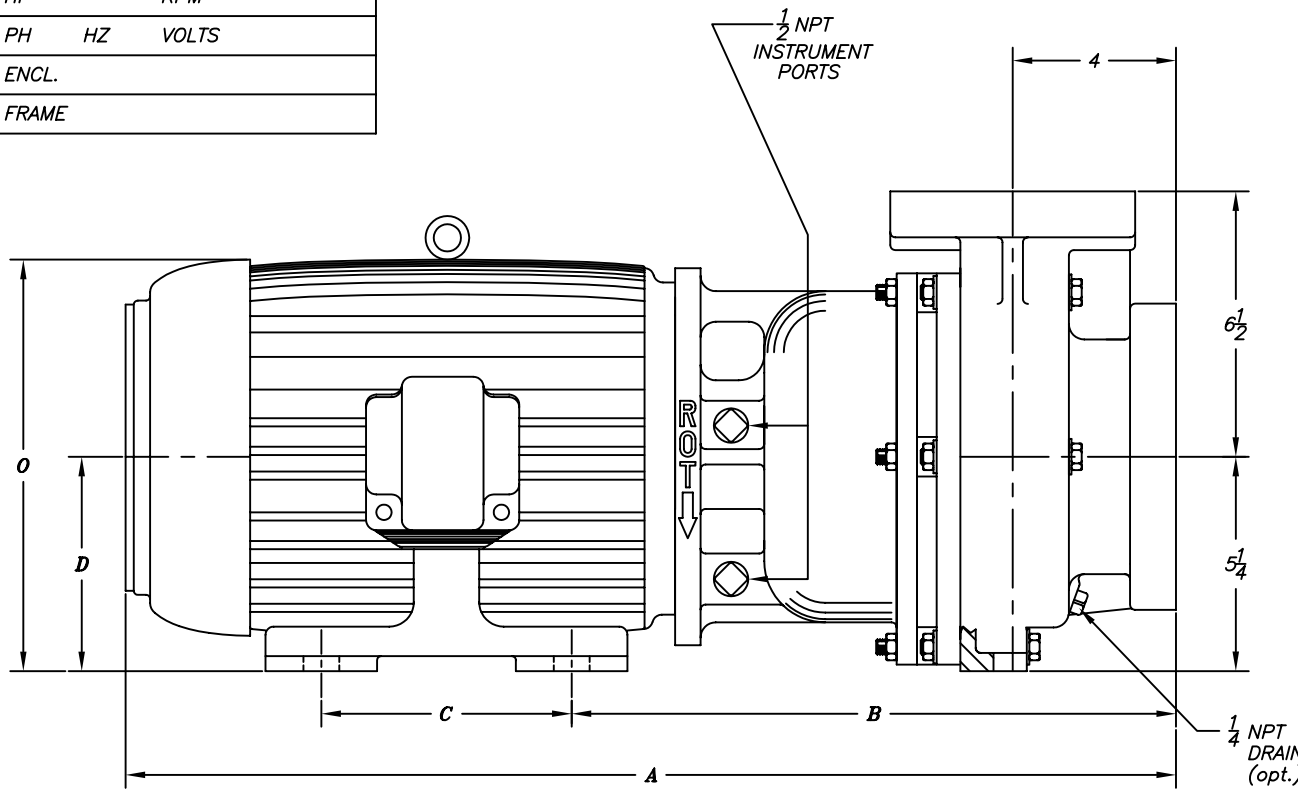


MOTOR		
HP	RPM	
PH	HZ	VOLTS
ENCL.		
FRAME		

DATE	SYM.	REVISION RECORD	AUTH.	DR.	CK.
1/00	A	TOSHIBA MOTOR DIM.			T.D.



MOTOR FRAME	A (1)	B (1)	C	D	E	F (1)	H	O (1)
143TC	23 1/4	14 17/32	4	3 1/2	2 3/4	7	11/32	7 1/2
145TC			5					
182TC	25 1/8	15 1/32	4 1/2	4 1/2	3 3/4	7 5/8	7/16	9 1/2
184TC			5 1/2					
213TC	28 5/8	15 29/32	5 1/2	5 1/4	4 1/4	11 1/8	7/16	11 1/2
215TC			7					

NOTES:

- (1) DIMENSIONS BASED ON TOSHIBA TEFC MOTORS. DIMENSIONS WILL VARY BY MANUFACTURER.
 - (2) ROTATION IS COUNTERCLOCKWISE FACING SUCTION FLANGE.
 - (3) ALL DIMENSIONS IN INCHES.
 - (4) FLANGES ARE ASME/ANSI B16.5 CLASS 150lb. FLAT FACE.
- WARNING: DO NOT OPERATE IN REVERSE ROTATION. DO NOT OPERATE WITHOUT LIQUID IN PUMP.**

CUSTOMER
CUST. P.O.#
TAG:
FYBROC S/N

FLANGE	O.D.	THICK.	B.C.	NO. OF HOLES	SZ. OF HOLES
1	4 1/4	7/8	3 1/8	4	5/8
1 1/2	5	1 1/8	3 7/8		3/4
2	6		4 3/4		
3	7 1/2		6		

PUMP SIZE	SUCT.	DISCH.
1X1 1/2X6	1 1/2	1
1 1/2X3X6	3	1 1/2
2X3X6	3	2
1X1 1/2X8	1 1/2	1

Fybroc Division		TELFORD, PA 18969	
2530 GROUP 1	SCALE	DRAWN BY	8/27
		APPROVED BY	
TITLE OUTLINE DRAWING			
DATE 8/12/99	DRAWING NUMBER C40195	REV. A	