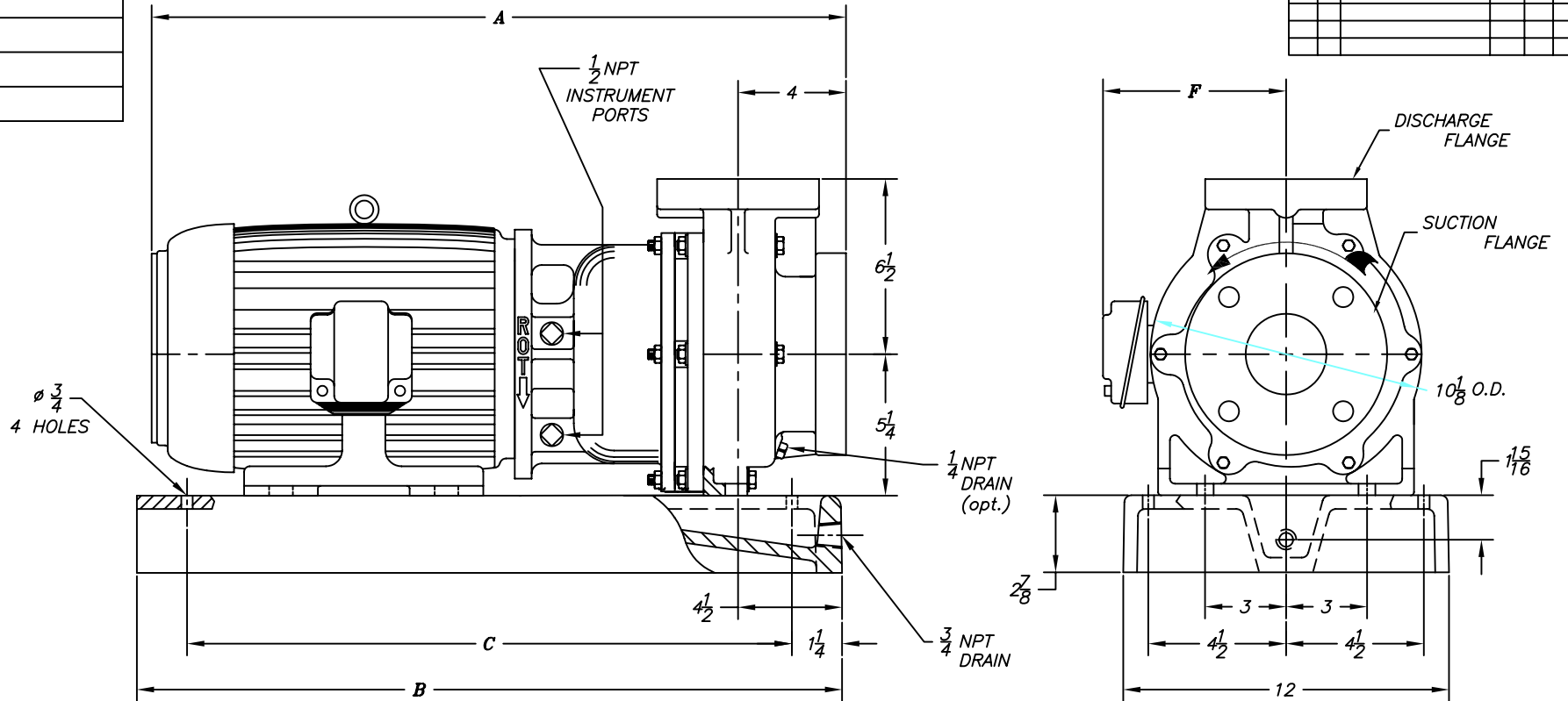


MOTOR		
HP	RPM	
PH	HZ	VOLTS
ENCL.		
FRAME		

DATE	SYM.	REVISION	RECORD	AUTH.	DR.	CHK.



MOTOR FRAME	A (1)	B	C	F (1)
143TC	23 1/4	28	25 1/2	7
145TC				
182TC	25 1/8	28	25 1/2	7 5/8
184TC				
213TC	28 5/8	31	28 1/2	11 1/8
215TC				

NOTES:

- (1) DIMENSIONS BASED ON TOSHIBA TEFC MOTORS. DIMENSIONS WILL VARY BY MANUFACTURER.
 - (2) ROTATION IS COUNTERCLOCKWISE FACING SUCTION FLANGE.
 - (3) ALL DIMENSIONS IN INCHES.
 - (4) FLANGES ARE ASME/ANSI B16.5 CLASS 150lb. FLAT FACE.
- WARNING:** DO NOT OPERATE IN REVERSE ROTATION. DO NOT OPERATE WITHOUT LIQUID IN PUMP.

CERTIFIED CORRECT

BY _____
DATE _____

CUSTOMER: _____

CUST. P.O.# _____

TAG: _____

FYBROC S/N _____

FLANGE	O.D.	THICK.	B.C.	NO. OF HOLES	SZ. OF HOLES
1	4 1/4	7/8	3 1/8	4	5/8
1 1/2	5	1 1/8	3 7/8		3/4
2	6		4 3/4		
3	7 1/2		6		

ANSI DESIG.	PUMP SIZE	SUCT.	DISCH.
AA	1X1 1/2X6	1 1/2	1
AB	1 1/2X3X6	3	1 1/2
-	2X3X6	3	2
AA	1X1 1/2X8	1 1/2	1

Fybroc Division TELFORD, PA 18969

2530 GROUP 1 SCALE ~ DRAWN BY *BJP*

TITLE: OUTLINE DRAWING W/BASE PLATE APPROVED BY _____

DATE 04/05/00 DRAWING NUMBER C40200 REV. _____