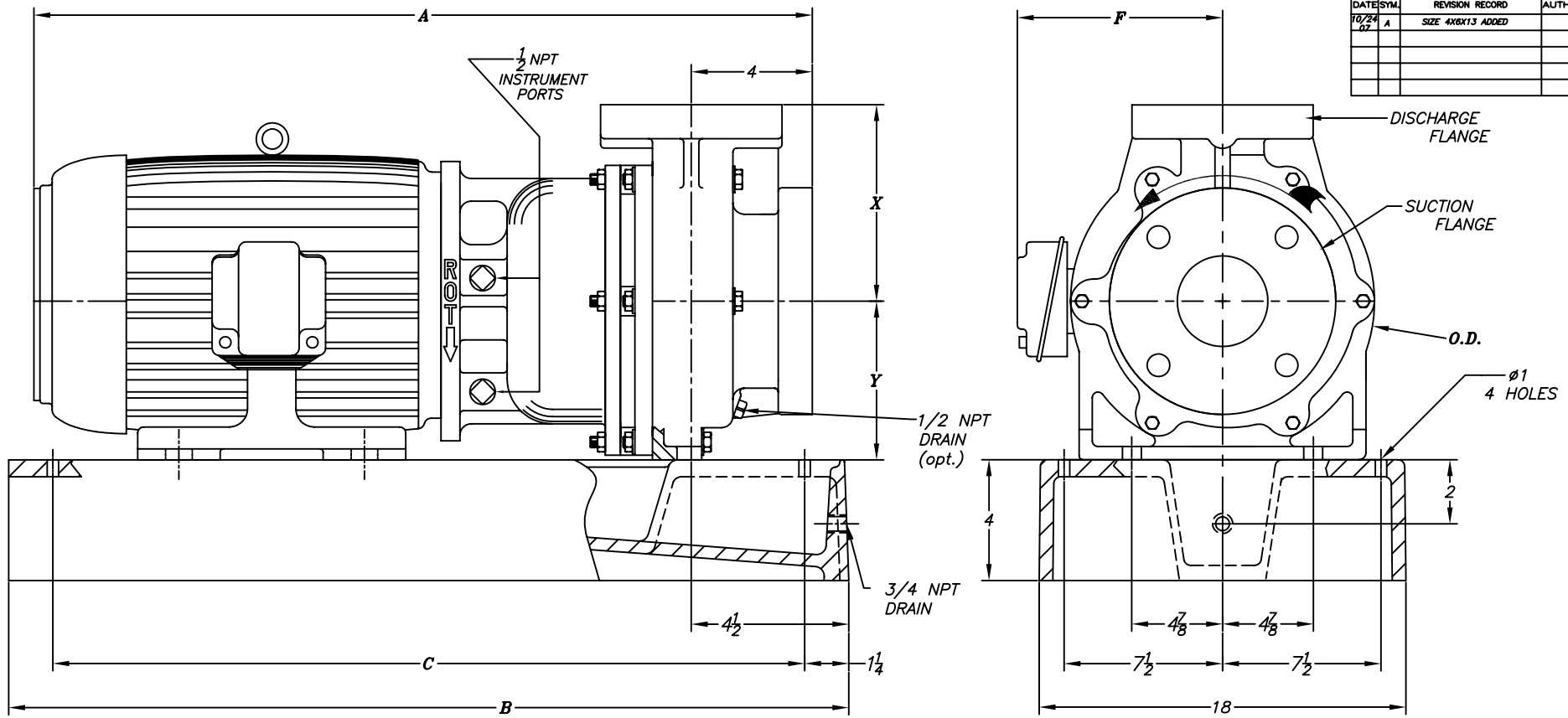


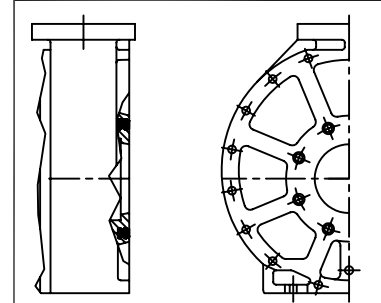
DATE	SYM.	REVISION RECORD	AUTH.	DR.	CHK.
10/24/02	A	SIZE 4X6X13 ADDED			



MOTOR	
HP	RPM
PH	HZ VOLTS
ENCL.	
FRAME	

FLANGE	O.D.	THICK.	B.C.	NO. OF HOLES	SZ. OF HOLES
1	4 1/4	7/8	3 1/8	4	5/8
2	6	1 1/8	4 3/4		3/4
3	7 1/2		6		
4	9	1 1/4	7 1/2	8	
6(1)	11	(1)	9 1/2	8	(2)

CUSTOMER
CUST. P.O.#
TAG:
FYBROC S/N



**FIGURE 1**  
FLAT FACE THREADED  
SUCTION CONNECTION  
USED ON SIZE 4X6X13 ONLY

**NOTES:**

- (1) THREADED SUCTION CONNECTION. SEE FIGURE 1.
- (2) 3/4"-10 TAPPED HOLES 1" DEEP.
- (3) DIMENSIONS BASED ON TOSHIBA TEFC MOTORS. DIMENSIONS WILL VARY BY MANUFACTURER.
- (4) ROTATION IS COUNTERCLOCKWISE FACING SUCTION FLANGE.
- (5) ALL DIMENSIONS IN INCHES.
- (6) FLANGES ARE ASME/ANSI B16.5 CLASS 150lb. FLAT FACE.

**WARNING: DO NOT OPERATE IN REVERSE ROTATION. DO NOT OPERATE WITHOUT LIQUID IN PUMP.**

MOTOR FRAME	A(1)	B	C	F(1)	PUMP SIZE	SUCT.	DISCH.	X	Y	O.D.
182 TC	26 1/2	28	25 1/2	7 5/8	3X4X6	4	3	8 1/4	8 1/4	14 1/4
184 TC					2X3X8	3	2	9 1/2		14 1/4
213 TC	30	32	29 1/2	11 1/8	3X4X8	4	3	11		14 1/4
254 TC	34 1/8	36	33 1/2	11 5/8	1X2X10	2	1	8 1/2		14 1/4
256 TC					4X6X13	6	4	13 1/2	10	22 1/4
284 TSC	37 1/8	39	36 1/2	12 1/8						
286 TSC										
324 TSC	39 3/4	43	40 1/2	13 5/8						
326 TSC	41 1/4									

<b>Fybroc Division</b>		TELFORD, PA 18969	
2530 SERIES GROUP 2		SCALE	DRAWN BY <i>ELJ</i>
		APPROVED BY	
TITLE: OUTLINE DRAWING W/BASE PLATE			
DATE: 04/15/02	DRAWING NUMBER: C 40215	REV.	A