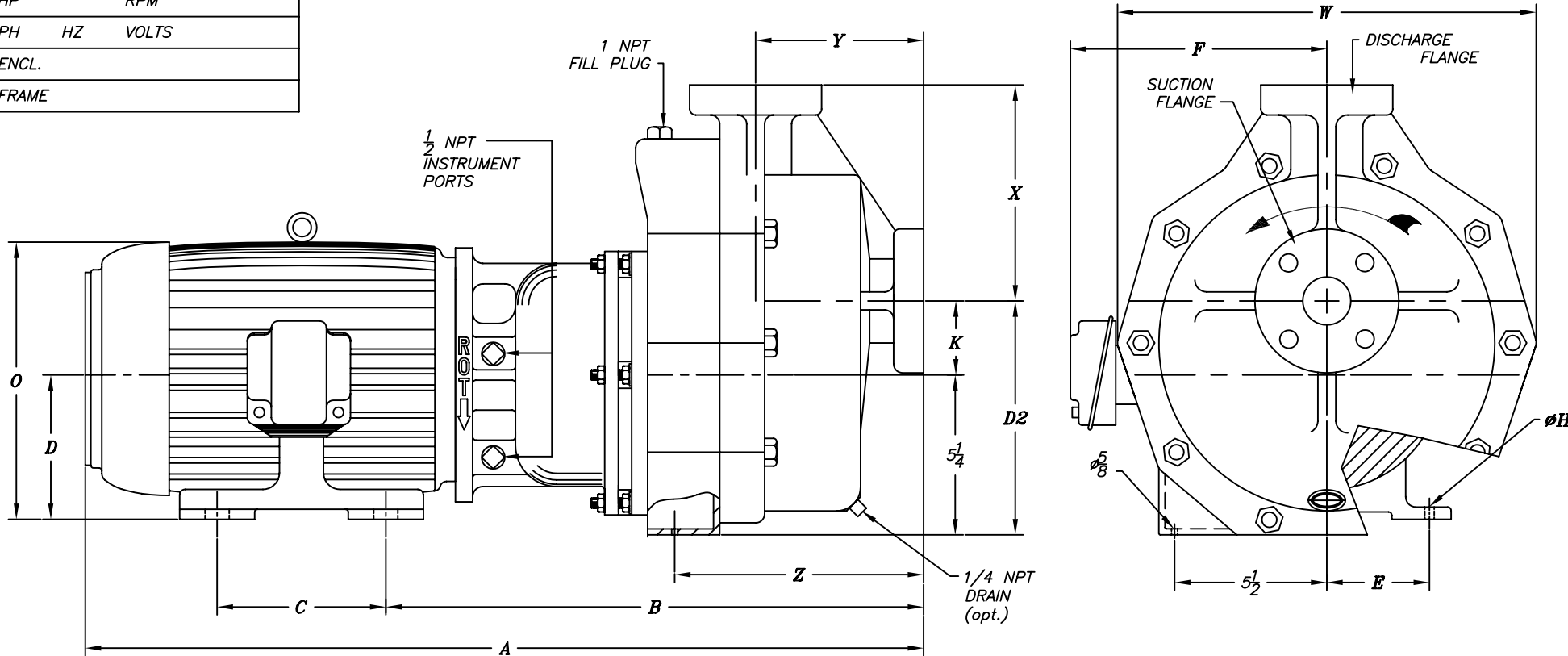


MOTOR
HP RPM
PH HZ VOLTS
ENCL.
FRAME

DATE	SYM.	REVISION	RECORD	AUTH.	DR.	CHK.



MOTOR FRAME	PUMP SIZE	A (1)	B(1)	C	D	E	F (1)	H	O (1)
143TC	1X1 1/2X8	28 3/8	19 9/16	4	3 1/2	2 3/4	7	11/32	7 1/2
	2X3X6	30 9/16	21 3/4						
145TC	1X1 1/2X8	28 3/8	19 9/16	5	3 1/2	2 3/4	7	11/32	7 1/2
	2X3X6	30 9/16	21 3/4						
182TC	1X1 1/2X8	30 3/16	20 1/16	4 1/2	4 1/2	3 3/4	7 5/8	7/16	9 1/2
	2X3X6	32 3/8	22 1/4						
184TC	1X1 1/2X8	30 3/16	20 1/16	5 1/2	4 1/2	3 3/4	7 5/8	7/16	9 1/2
	2X3X6	32 3/8	22 1/4						
213TC	1X1 1/2X8	33 11/16	20 15/16	5 1/2	5 1/4	4 1/4	11 1/8	7/16	11 1/2
	2X3X6	35 7/8	23 1/8						
215TC	1X1 1/2X8	33 11/16	20 15/16	7	5 1/4	4 1/4	11 1/8	7/16	11 1/2
	2X3X6	35 7/8	23 1/8						

FLANGE	O.D.	THICK.	B.C.	NO. OF HOLES	SIZE OF HOLES
1	4 1/4	1	3 1/8	4	5/8
1 1/2	5	1 1/8	3 7/8	4	5/8
2	6	1 1/8	4 3/4	4	3/4
3	7 1/2	1 1/8	6	4	3/4

PUMP SIZE	SUCT.	DISCH.	D ₂	K	W	X	Y	Z
1X1 1/2X8	1 1/2	1	8 7/8	3 5/8	14 3/8	7	6	9 5/16
2X3X6	3	2	9 1/8	3 7/8	17 5/8	9 1/8	7	11 1/2

NOTES:
(1) DIMENSIONS BASED ON TOSHIBA TEFC MOTORS. DIMENSIONS WILL VARY BY MANUFACTURER.
(2) ROTATION IS COUNTERCLOCKWISE FACING SUCTION FLANGE.
(3) ALL DIMENSIONS IN INCHES.
(4) FLANGES ARE ASME/ANSI B16.5 CLASS 150lb. FLAT FACE.
WARNING: DO NOT OPERATE IN REVERSE ROTATION. DO NOT OPERATE WITHOUT LIQUID IN PUMP.

CUSTOMER
CUST. P.O.#
TAG:
FYBROC S/N

Fybroc Division		TELFORD, PA 18969	
2630	SCALE	DRAWN BY	829
GROUP 1	~	APPROVED BY	
TITLE OUTLINE DRAWING			
DATE 04/01/03	DRAWING NUMBER C 40220	REV.	