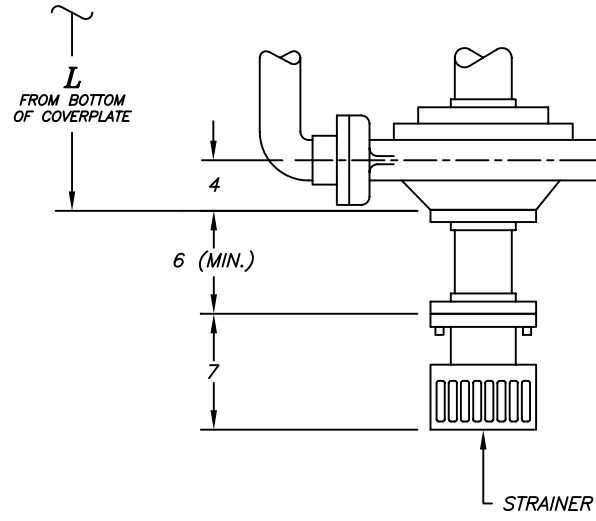
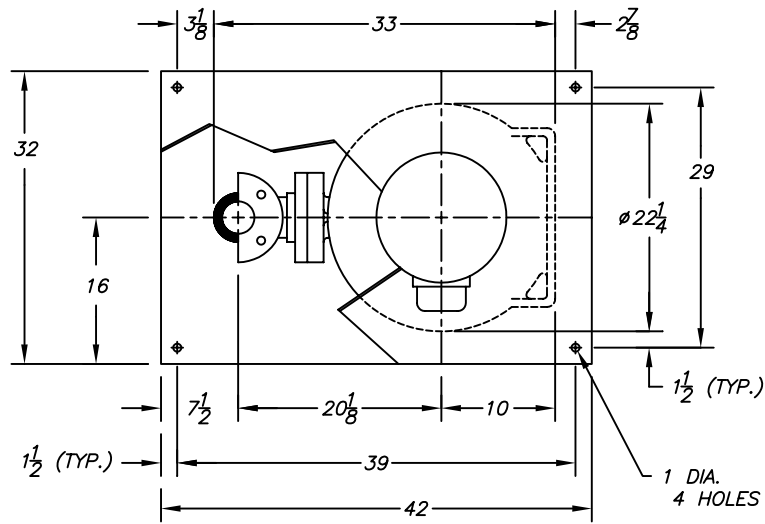
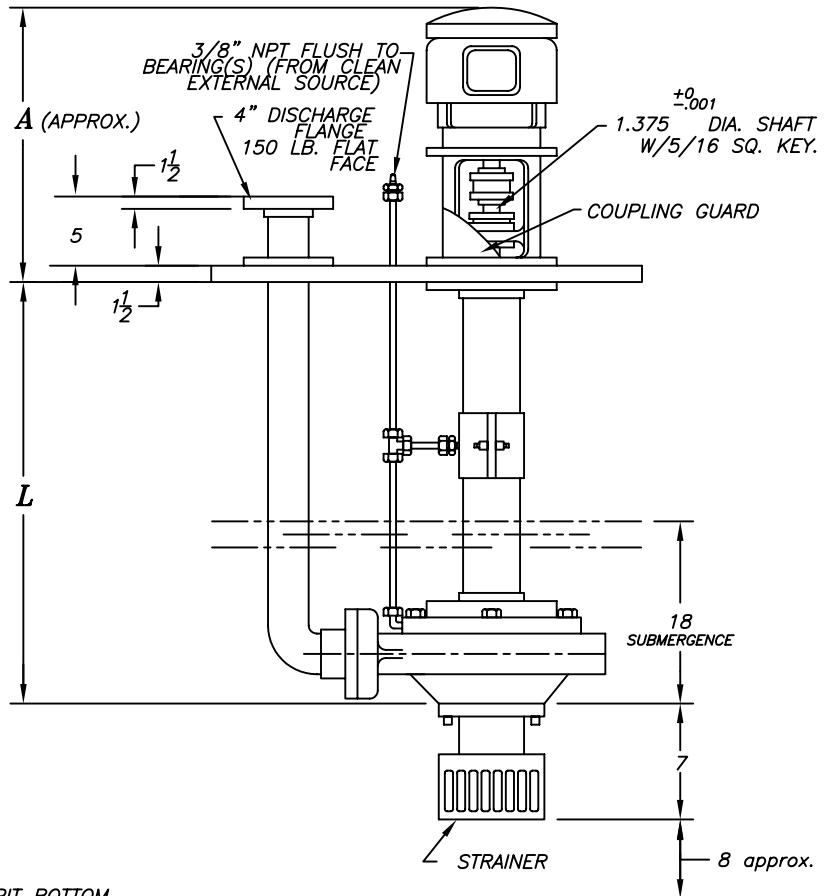


DATE	SYM.	REVISION RECORD	AUTH.	D.R.	C.K.



TAILPIPE ASSEMBLY
(OPTIONAL)



MOTOR FRAME	A
182TC/184TC	29 3/4
213TC/215TC	33 3/4
254TC/256TC	38 5/8
284TC/286TC	40 7/8

MOTOR			
HP	RPM		
PH	HZ	VOLTS	
ENCL.			
FRAME			

CUSTOMER	
CUST. P.O.#	
TAG:	
FYBROC S/N	

NO.	L	BRGS	WEIGHT APPROX.
1	18 3/4" (1' 6-3/4")	1	-
2	24 3/4" (2' 3/4")	1	-
3	30 3/4" (2' 6-3/4")	1	-
4	36-3/4" (3' 3/4")	1	-
5	42 3/4" (3' 6-3/4")	2	-
6	48 3/4" (4' 3/4")	2	-
7	54 3/4" (4' 6-3/4")	2	-
8	60 3/4" (5' 3/4")	2	-
9	66 3/4" (5' 6-3/4")	2	-
10	72 3/4" (6' 3/4")	3	-
11	78 3/4" (6' 6-3/4")	3	-
12	84 3/4" (7' 3/4")	3	-
13	90 3/4" (7' 6-3/4")	3	-
14	96 3/4" (8' 3/4")	3	-
15	102 3/4" (8' 6-3/4")	4	-
16	108 3/4" (9' 3/4")	4	-
17	114 3/4" (9' 6-3/4")	4	-
18	120 3/4" (10' 3/4")	4	-
19	126 3/4" (10' 6-3/4")	4	-

*-LESS, MOTOR AND TAILPIPE

- NOTES:
1. MOTOR SHIPPED SEPARATELY FOR FIELD MOUNTING BY OTHERS.
 2. ALL DIMENSIONS IN INCHES.
 3. EXPANSION JOINT IS RECOMMENDED FOR DISCHARGE CONNECTION.
 4. COVERPLATE TO BE SUPPORTED ON ALL FOUR SIDES.
 5. ALL FLANGE GASKETS ARE TO BE FULL FACE GASKETS.

Fybroc Division TELFORD, PA 18969		
5500 4X6X10	SCALE ~	DRAWN BY <i>BLS</i>
APPROVED BY		
TITLE OUTLINE DRAWING		
DATE 5/11/94	DRAWING NUMBER C40135	REV.

PIT BOTTOM