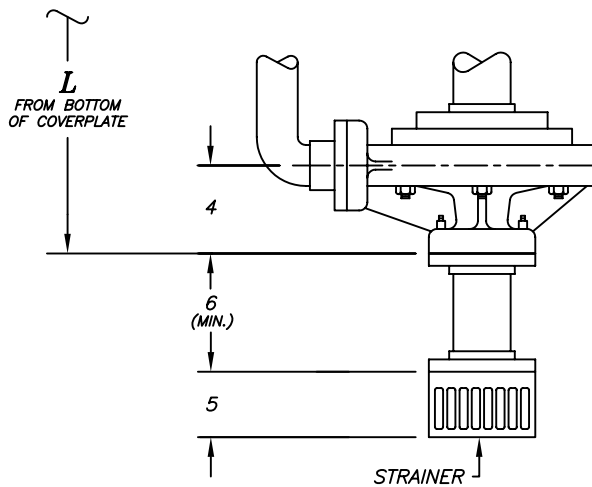
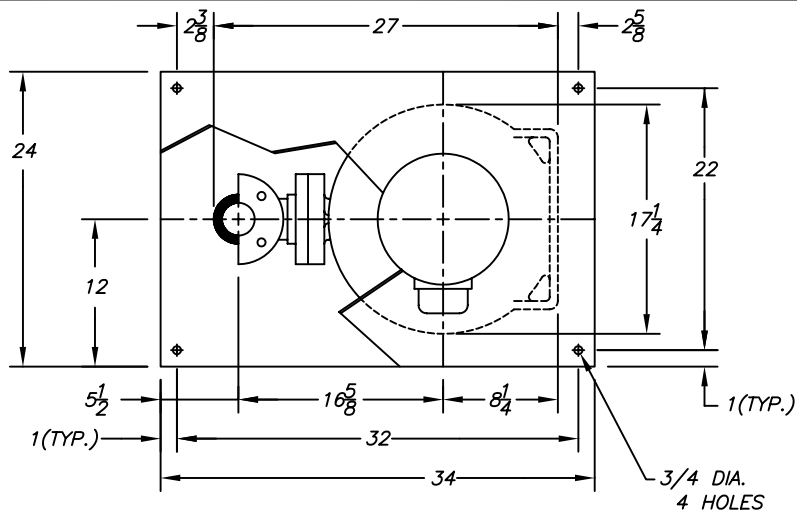
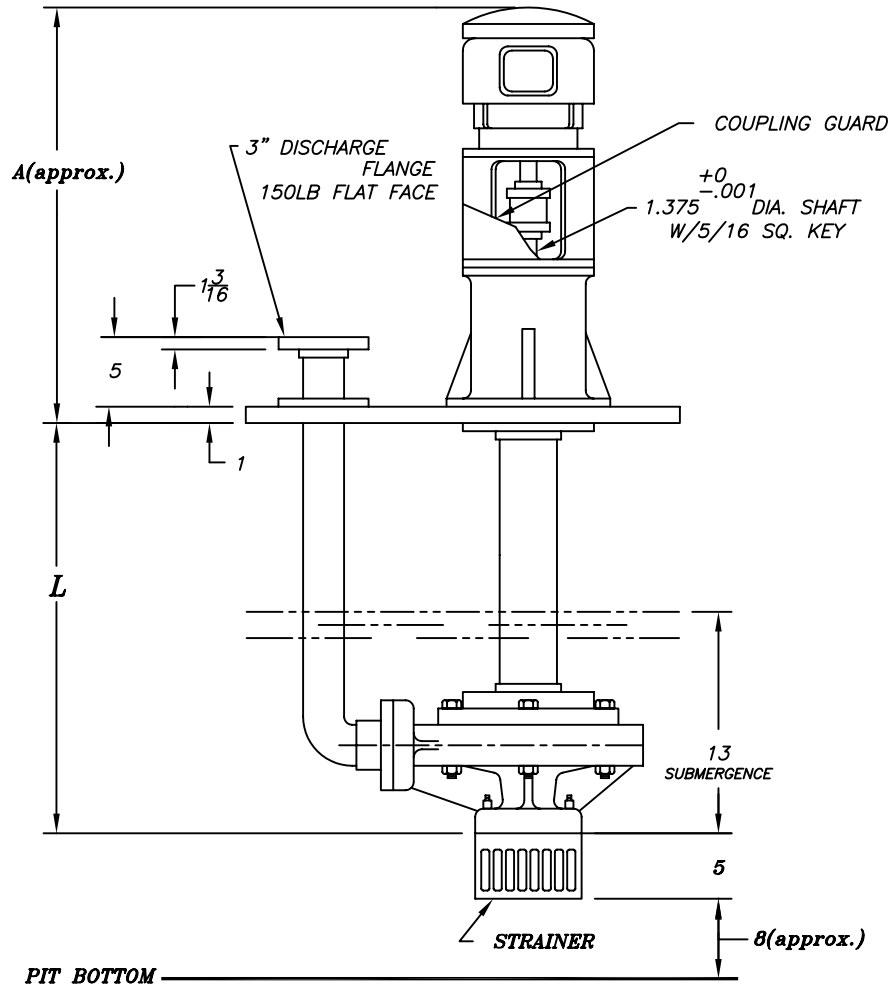


DATE	SYM.	REVISION RECORD	AUTH.	DR.	CK.



**TAILPIPE ASSEMBLY**  
(OPTIONAL)



MOTOR FRAME	A
182TC/184TC	38 1/4
213TC/215TC	41 7/8
254TC/256TC	47 1/4

MOTOR		
HP	RPM	
PH	HZ	VOLTS
ENCL.		
FRAME		

CUSTOMER
CUST. P.O.#
TAG:
FYBROC S/N

- NOTES:
- "L" DIMENSION IS SPECIFIED BY CUSTOMER WHEN ORDER IS ENTERED. "L" MAX.=48"
  - MOTOR SHIPPED SEPARATELY FOR FIELD MOUNTING BY OTHERS.
  - ALL DIMENSIONS IN INCHES.
  - EXPANSION JOINT IS RECOMMENDED FOR DISCHARGE CONNECTION.
  - COVERPLATE TO BE SUPPORTED ON ALL FOUR SIDES.
  - ALL FLANGE GASKETS ARE TO BE FULL FACE GASKETS.

<b>Fybroc Division</b>		TELFORD, PA 18969	
7500	SCALE	DRAWN BY	829
3X4X10		APPROVED BY	
TITLE OUTLINE DRAWING			
DATE	DRAWING NUMBER	REV.	
5/27/94	C40145		

PIT BOTTOM